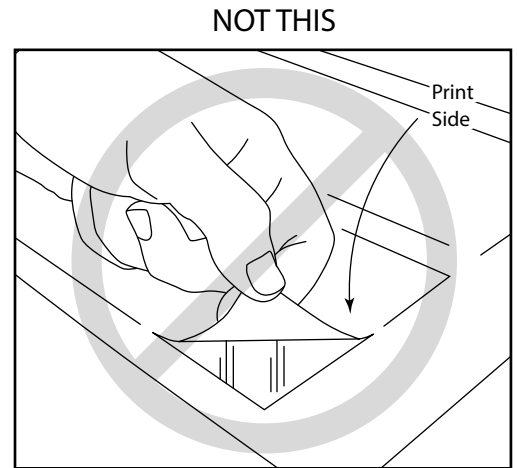


TIPS 'N' TRICKS

Dry Peel: *Detaching Printed Media from Sheet*

- 1 Place the print side down on a flat surface and pull back the corner of the sheet separating the inner media from liner as shown.
- 2 Continue to roll back the liner and unwanted outer media while holding the printed media flat until detached.



For best results do not remove printed media with print side facing up.

Detach from Sheet

